

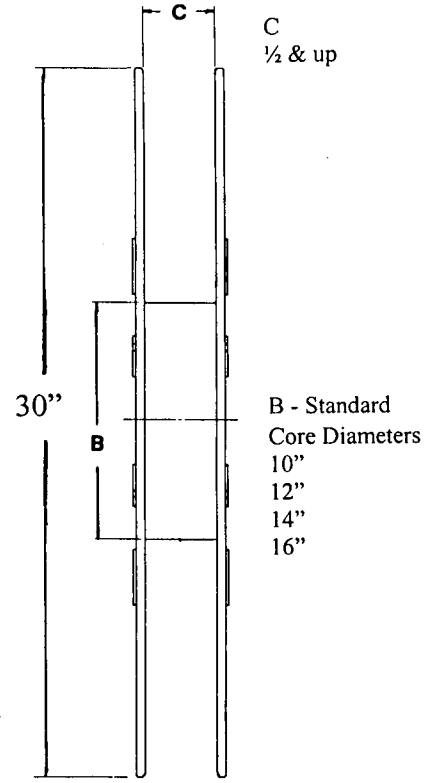
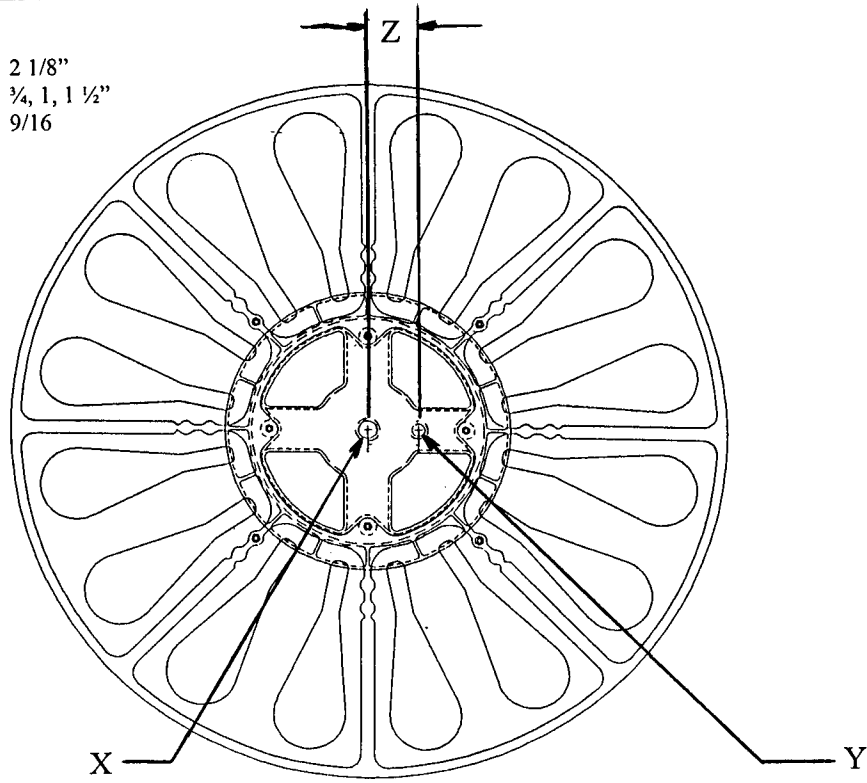
Reel Quotation Form

Name _____ Address _____

Company _____ City _____ St _____ Zip _____

Title _____ Phone _____

Z 2 1/8"
 X 3/4, 1, 1 1/2"
 Y 9/16



Quantity	Core Dia. / Core Width "B" / "C"	Shaft Clearance Hole "X"	Drive Clearance Hole "Y"	Drive Hole Location "Z"	Optional		
						Custom Imprint	Colors

Custom Reels Also Available

STAMP ONE, INC.
 600 Park Avenue
 Cranston, RI 02910
 (401) 461-1155 • FAX (401) 461-1195